

Resource
Data Management

DM & Network Surge
Protection
Revision 1.0

Contents

Surge Protection	3
Mains Connection	3
IP Network.....	4
RS485 Modbus Network.....	4



Please ensure all power is switched off before installing or maintaining this product.

Surge Protection

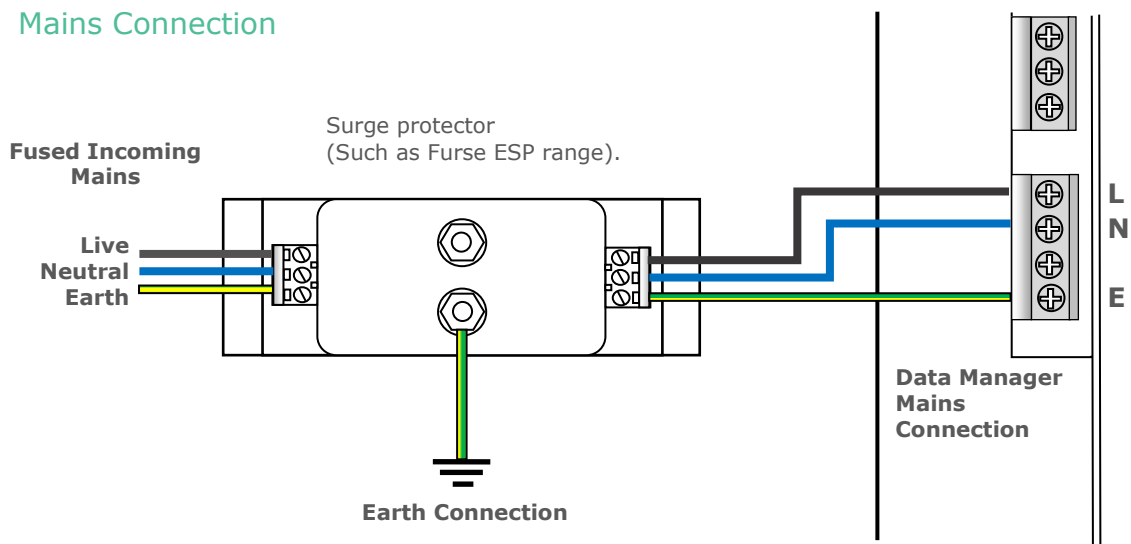
In most instances RDM equipment does not require any additional voltage surge protection however in some areas it is desirable to protect against voltage disruption to prevent damage of electronic equipment.

Voltage surges and spikes can be caused by various things, lightning strikes within the local area (typically up to one mile away), a build-up of static charge on network lines, variations in the local mains supply, induced high energy transients coupled onto the local cabling system and potential differences in the safety earth from building to building.

If equipment is to be fitted within problem areas RDM recommends the fitting of surge protection devices on the mains supply powering the equipment. In some cases Ethernet, CAN or RS485 network connections may also be affected and require appropriate protection.

Typical fitting of these devices is shown below. Please refer to the manufacturers installation manual for detailed fitting instructions.

Mains Connection

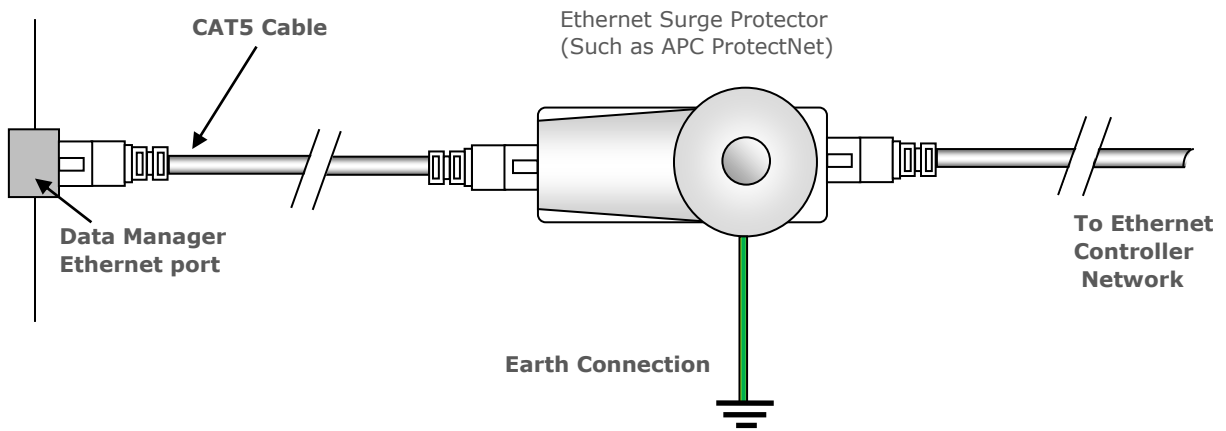


When selecting a mains surge protection unit, ensure that it is rated to your local mains voltage range (90-150 Vac or 230-280 Vac for example)

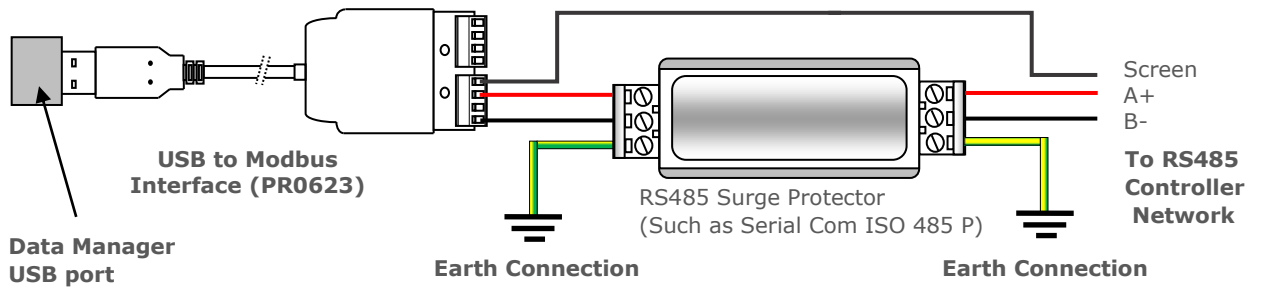


Please ensure all power is switched off before installing or maintaining this product.

IP Network



RS485 Modbus Network



Please ensure all power is switched off before installing or maintaining this product.

Group Offices

RDM Group Head Office

80 Johnstone Avenue
Hillington Industrial Estate
Glasgow
G52 4NZ
United Kingdom

+44 (0)141 810 2828
support@resourcedm.com

RDM Inc

100 North Sixth Street
Suite 630B
Minneapolis, MN
55403
United States

+1 612 354 3923
usasupport@resourcedm.com

RDM Asia

Sky Park at One City
Jalan USJ 25/1
47650 Subang Jaya
Selangor
Malaysia

+60 3 5115 0061
info@rdmasia.com.my



Visit www.resourcedm.com/support for more information on RDM solutions, additional product documentation and software downloads.

While every effort is made to ensure the information given within this document is accurate, Resource Data Management Ltd shall not be liable for errors or omissions, for incidental or consequential damages, directly or indirectly, in connection with the furnishing, performance or misuse of this product or document. All specifications are subject to change without notice.

See www.resourcedm.com for terms and conditions of sales.

Copyright © Resource Data Management