

Resource
Data Management

Mercury MK I Remote Display

Installation/User Guide
Revision 1.0



PR0325 PR0326
PR0327 PR0328

Contents

| | |
|-----------------------------------|---|
| Mercury Remote Case Display | 3 |
| Features | 3 |
| Specification | 4 |
| PR0325 & PR0326 | 4 |
| PR0327 & PR0328 | 4 |
| Power | 5 |
| Environmental | 5 |
| Fitting | 5 |



Please ensure all power is switched off before installing or maintaining this product.

Mercury Remote Case Display

The Mercury Remote Case Displays are a low cost option designed for connection to the Mercury "R" range of controls — for example PR0720 & PR0721, and Powertrays. The remote display retains all the functionality of the integral displays ensuring that you still have full access to all the menus and settings of the controller.

Features

- Allows display to be mounted remotely from the controller
- 5m prewired display cable
- Provides access to all features of the controller
- Network, Defrost and Alarm LEDs
- PR0326 & PR0328 options include a Case Clean mode keyswitch

| Description | Part Number |
|---|-------------|
| Mercury Remote Display inc. 5m cable | PR0325 |
| Mercury Remote Display with Keyswitch inc. 5m cable | PR0326 |
| Mercury Remote DIN Display inc. 5m cable | PR0327 |
| Mercury Remote DIN Display with Keyswitch inc. 5m cable | PR0328 |

PR0325



PR0326



PR0327



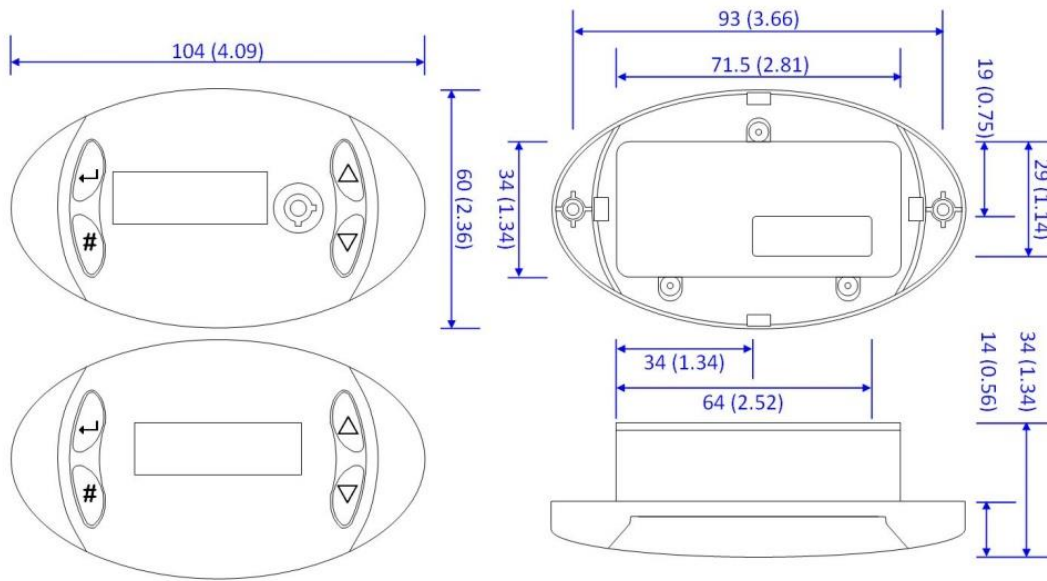
PR0328



Please ensure all power is switched off before installing or maintaining this product.

Specification

PR0325 & PR0326



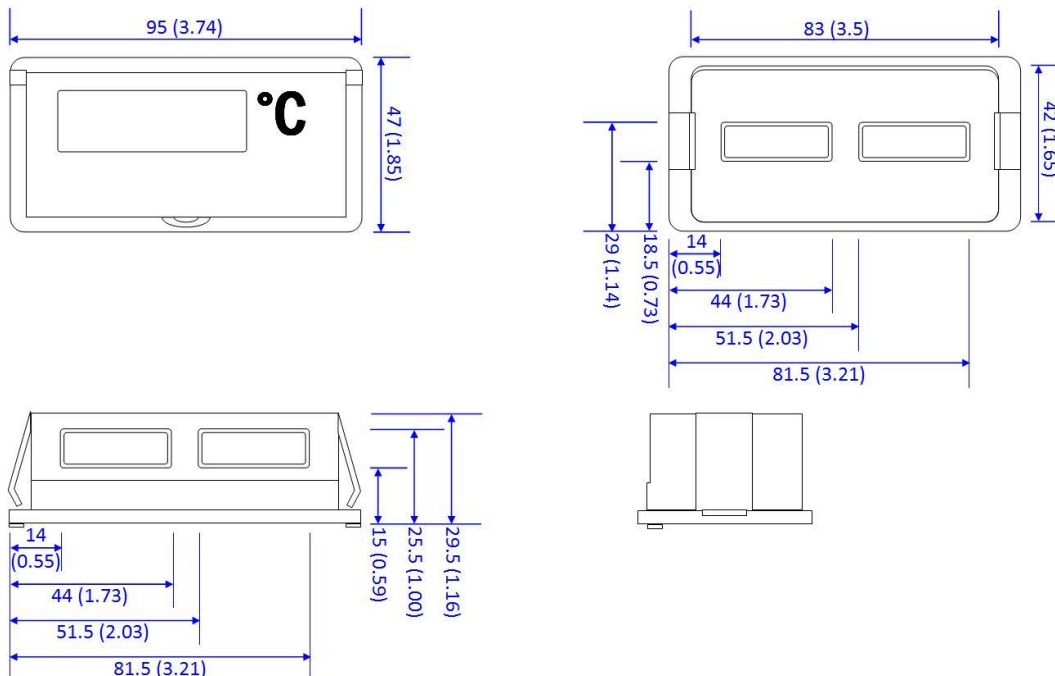
Mechanical

Dimensions: (L x W x D): 104 x 60 x 34mm (4.09 x 2.36 x 1.34in)

Weight: 350g (0.77lb)

Panel cut-out: 72 x 36mm (2.8 x 1.42in)

PR0327 & PR0328



Mechanical

Dimensions: (L x W x D): 95 x 47 x 30mm (3.75 x 1.85 x 1.18in)

Weight: 330g (0.73lb)

Panel cut-out: 89 x 43.5mm (3.5 x 1.7in)



Please ensure all power is switched off before installing or maintaining this product.

Power

5V Supplied from controller

Environmental

Operating temperature: 5° to 50°C (41° to 122°F)

Operating humidity: 10% to 80% (non condensing)

Fitting

The Mercury Remote Display's PR0325 & PR0326 is fitted to the panel and retained in place with just two screws (supplied).

The Mercury DIN remote display's is fitted to the panel and retained in place with the supplied friction fit clips.



Please ensure all power is switched off before installing or maintaining this product.

Group Offices

RDM Group Head Office

80 Johnstone Avenue
Hillington Industrial Estate
Glasgow
G52 4NZ
United Kingdom

+44 (0)141 810 2828
support@resourcedm.com

RDM USA

9441 Science Center Drive
New Hope
Minneapolis
MN 55403
United States

+1 612 354 3923
usasupport@resourcedm.com

RDM Asia

Sky Park at One City
Jalan USJ 25/1
47650 Subang Jaya
Selangor
Malaysia

+60 3 5022 3188
asiatech@resourcedm.com



Visit www.resourcedm.com/support for more information on RDM solutions, additional product documentation and software downloads.

While every effort is made to ensure the information given within this document is accurate, Resource Data Management Ltd shall not be liable for errors or omissions, for incidental or consequential damages, directly or indirectly, in connection with the furnishing, performance or misuse of this product or document. All specifications are subject to change without notice.

See www.resourcedm.com for terms and conditions of sales.

Copyright © Resource Data Management